

4CH 720P SD MOBILE DVR



FEATURES:

- Single chip design
- H.265/H.264 encoding, high compression ratio
- Supports four CH 720P
- AHD/TVI/CVI/CVBS video inputs
- 1CH synchronized AV output, 1CH VGA output (Optional)
- Support image horizontal and vertical mirror adjustment
- Support reversing image ranging assistance
- Unique GPS drift suppression algorithm

Power:

- Professional In-Vehicle power design, 9-32V DC Wide Voltage Range
- Multi protection circuits like under-voltage, short, reversed plug-in
- Smart power management system, shutdown under low voltage, low consumption when standby

Data Storage:

- Special file management system to encrypt and protect the data
- Proprietary technology to detect the bad track of the SD card which can make sure the continuity of video and long service life of the SD card
- Built-in ultracapacitor, avoid data loss and sd card damage caused by sudden outage
- Support SD card storage, maximum 512G

Transmission Interface:

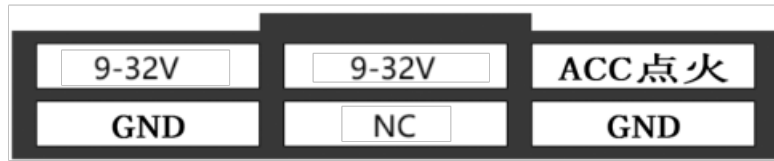
- Support GPS/BD optional, high sensitivity, fast positioning
- Built-in 4G module

Technical parameter:

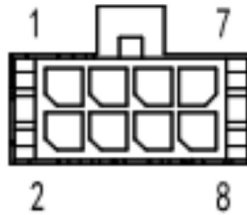
Item	Device parameter	Performance
System	CPU	SSR910Q
	Operating system	Embedded Linux OS
	Operating language	Chinese/English
	Operating interface	GUI, Support mouse
	Password security	User password/Admin password
Audio & Video	Video IN	4ch 720P AHD/TVI/CVI/CVBS
	Video OUT	CVBS, VGA (Optional)
	AUDIO IN	4ch
	AUDIO OUT	1CH analog output
	Video standard	PAL/NTSC
	Video compression	H.265/H.264
	Image resolution	720P/ 720P /960H/D1/CIF
	Recording quality	Class 1-6 optional
Recording & Playback	Audio Compression	G711A/G711U/G726/MG726
	Recording mode	Automatic/Alarm
	Storage media	SD card storage
	Video inquiry	Inquiry by channel/Recording type
Firmware upgrading	Local playback	Local 4 CH
	Upgrading mode	Manual/Automatic/Remote
Interface	Upgrading method	USB disk, SD card, network
	AV input	4ch aviation interface
	AV output	1ch AV output, 1ch VGA video output (Optional)
	Alarm input	4 digital inputs
	Alarm output	1-channel open drain output , IO input multiplexing
	UART	1 RS232
	SD card	1 SDXC High speed card
	USB interface	1 USB 2.0 (support U disk/mouse)
	Ignition input	1 ACC signal
	LED Indication	PWR/RUN
	SD card lock	1
Debug port	1	
Function Extension	GNSS	GPS/BD/GLONASS
Others	Power input	9~32V DC
	Power consumption	Power consumption: AVG 5.6W (excluding peripherals)
	Working temperature	-20 --- 70℃
	Storage	720P 510MB/h/channel
	Dimension	140*118*31 mm

The interface definition

1.1 Power interface

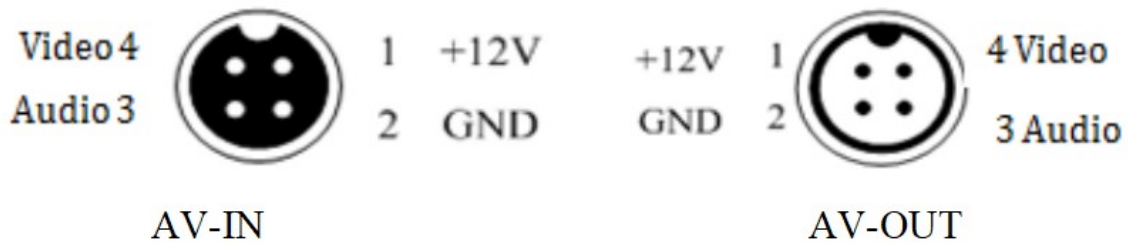


1.2 I/O Interface definition



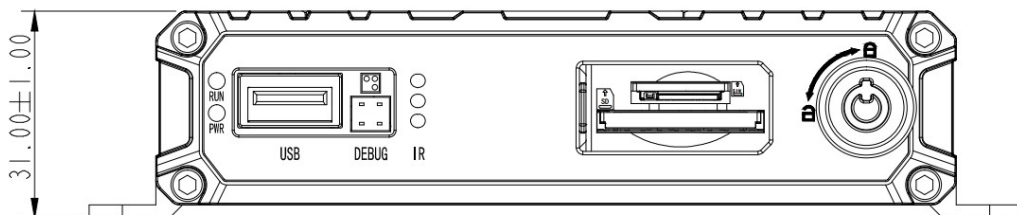
PIN	Pin definition	PIN	Pin definition
1	ALM_IN1/ALM_OUT	2	ALM_IN2
3	ALM_IN3	4	ALM_IN4
5	RXD	6	TXD
7	5V	8	GND

1.3 Audio and video interface definition

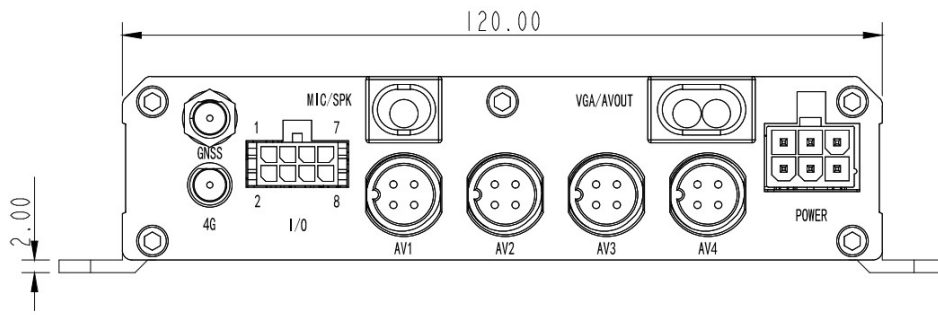


1.4 External interface

Front Panel:



Back Panel:



1.5 Outline drawing

